



**APPLICATION FOR A SPECIAL PERMIT TO OPERATE  
A TRUCK-TRACTOR - FOUR-AXLE SEMI-TRAILER COMBINATION  
TO TRANSPORT LONGITUDINALLY LOADED LOGS AND ROUNDWOOD,  
WOOD CHIPS, AND FOREST BY-PRODUCTS (HOG FUEL)**  
(Maximum GVW 54,000 kg – 55,500 kg)  
**NC-LL**

**SEND TO:**

Special Permit Office  
Transportation Policy Branch  
New Brunswick Department of Transportation  
P.O. Box 6000  
Fredericton, NB E3B 5H1

FAX: (506) 444-4488  
email:  
special.permits@gnb.ca  
Permit fee: \$50/year

Registered owner: \_\_\_\_\_

Address: \_\_\_\_\_

City: \_\_\_\_\_ Prov.: \_\_\_\_\_ Postal code: \_\_\_\_\_

Phone no: (\_\_\_\_\_) \_\_\_\_\_ Fax: (\_\_\_\_\_) \_\_\_\_\_

**SEMI-TRAILER:**

► Make: \_\_\_\_\_ ► Year: \_\_\_\_\_

► Full serial number: \_\_\_\_\_

► Plate no: \_\_\_\_\_ ► Province of registration: \_\_\_\_\_

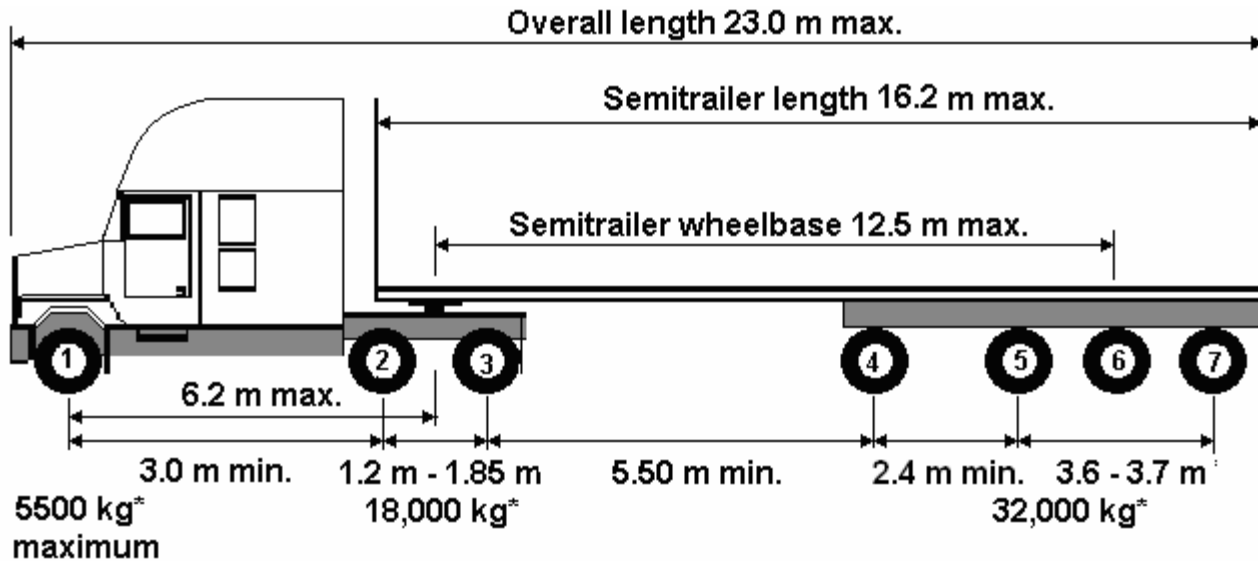
**Does the semi-trailer comply with the following requirements?** Yes  No

- The air pressure for the lift axle must not be controlled from within the cab.
- The lift axle may be fully lifted or fully lowered from within the cab.
- Semi-trailer axle group 5, 6 and 7 must be a tridem group utilizing a full air suspension system.
- Axle 4 must be pneumatically tied into the tridem axle group 5, 6 and 7.
- For axle group 4, 5, 6, and 7, the load must be equalized between adjacent axles in the group to within 1000 kg.
- Only axle 4 may be a lift axle or a self-steering axle.

Truck and semi trailer combinations must comply with either diagram #1 or #2 below.

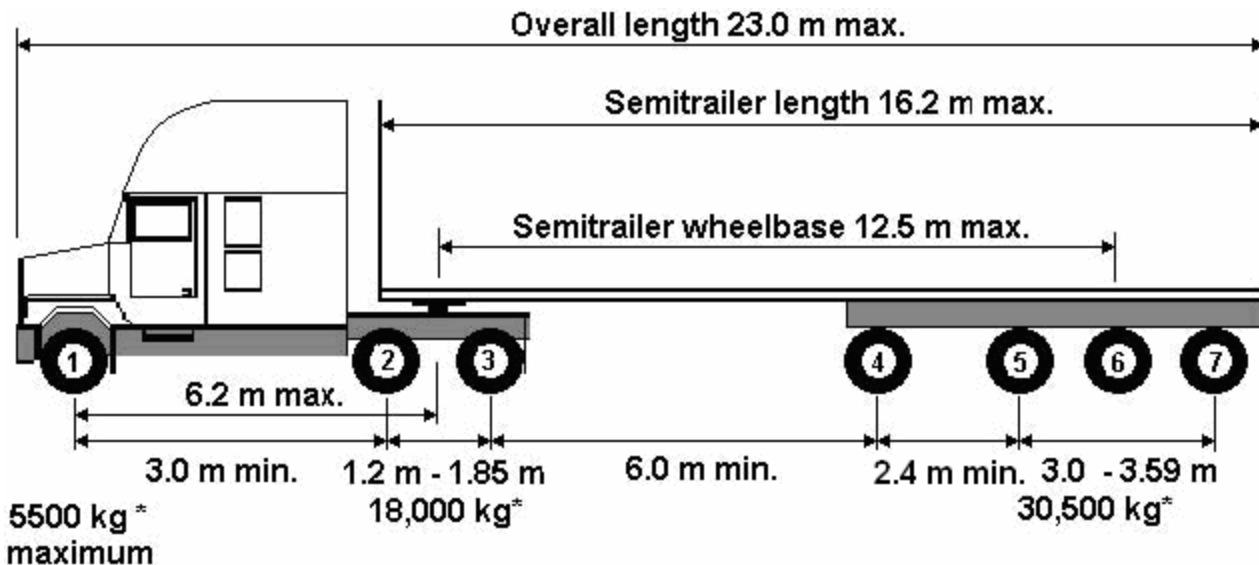
Please select the diagram that matches your vehicle configurations:  
(One diagram only per application)

Vehicle # 1 – GVW = 55,500 kg maximum\*



**\* NOTE: No additional weight (mass) will be permitted beyond these values.**

Vehicle # 2 – GVW = 54,000 kg maximum\*



**\* NOTE: No additional weight (mass) will be permitted beyond these values.**

**\*Note: For the above diagrams #1 and #2:**

- All other vehicle dimensions must comply with Regulation 2001-67
- All axles except steering axle must be equipped with dual tires.
- All axles on trailer must utilize a full air suspension that equalizes the load between the axles to within 1000 kg.
- All four axles of the semi-trailer must be deployed when trailer is loaded and operating.
- Vehicles must registered for the weights allowed on the permit.

<b>Payment details (do not send cash by mail):</b>	
Cash <input type="checkbox"/> Cheque or Money order <input type="checkbox"/> VISA <input type="checkbox"/> Mastercard <input type="checkbox"/>	
<b>Credit card number:</b>	<b>Expiry date (mm/yy):</b>

<b>Send permit to: Company (provide fax number if different from above) <input type="checkbox"/></b>
<b>Scale <input type="checkbox"/> District <input type="checkbox"/> SNB Office <input type="checkbox"/> Location:</b>

I hereby apply for a special permit to operate a truck-tractor and a four-axle semi-trailer, as described above, for travel in the Province of New Brunswick, transporting ONLY longitudinally loaded logs and roundwood, and wood chips.

I understand that the permit, if it is issued, shall expire one year from the date of issue. This vehicle may be inspected during the term of said permit, to evaluate its safety and weight distribution characteristics. I further understand that an unsatisfactory carrier safety rating may be grounds for not issuing a permit, or subsequent cancellation of a permit.

I acknowledge that I have read and understood the information and requirements contained in this application and I certify that the information provided on this application is true and correct.

Name (Print): \_\_\_\_\_

Signature: \_\_\_\_\_ Date: \_\_\_\_\_